

Braçadeiras roscadas c/ reforço NPT

Clamp saddles with reinforce NPT

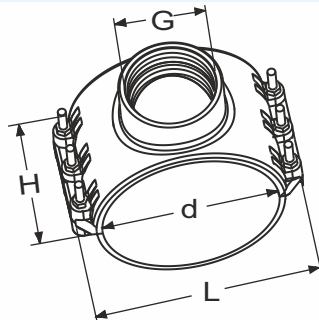
Colliers de prise en charge avec renfor NPT

Collarines de toma con refuerzo NPT

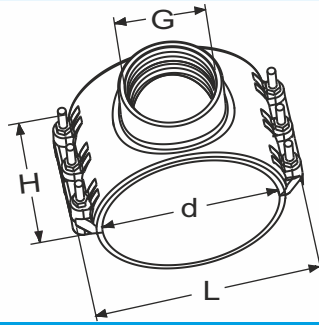
NEW



02 15 2704 000



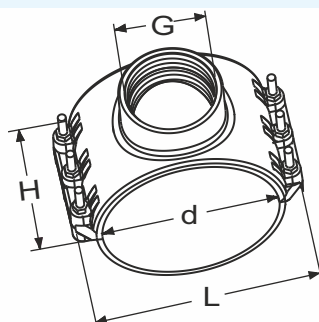
d	G	L	H	Paraf	PN/Bar	Gr	Quant	Nº Código
25	" 1/2	61	36	2 (M6x40)	10	62	C 200	02 15 2704 003
25	" 3/4	61	36	2 (M6x40)	10	70	C 180	02 15 2704 004
32	" 1/2	76	45	2 (M8x60)	10	130	C 100	02 15 2704 005
32	" 3/4	76	45	2 (M8x60)	10	137	C 100	02 15 2704 006
32	1 "	76	45	2 (M8x60)	10	146	C 100	02 15 2704 007
40	" 1/2	76	55	2 (M8x60)	10	134	C 100	02 15 2704 008
40	" 3/4	76	55	2 (M8x60)	10	143	C 100	02 15 2704 009
40	1 "	76	55	2 (M8x60)	10	130	C 90	02 15 2704 010
50	" 1/2	83	60	2 (M8x60)	10	150	C 80	02 15 2704 011
50	" 3/4	83	60	2 (M8x60)	10	158	C 80	02 15 2704 012
50	1 "	83	60	2 (M8x60)	10	166	C 70	02 15 2704 013
63	" 1/2	102	69	4 (M8x60)	10	255	C 50	02 15 2704 014
63	" 3/4	102	69	4 (M8x60)	10	257	C 50	02 15 2704 015
63	1 "	102	69	4 (M8x60)	10	273	C 50	02 15 2704 016
63	1" 1/4	102	69	4 (M8x60)	10	277	C 50	02 15 2704 017
63	1" 1/2	102	69	4 (M8x60)	10	299	C 45	02 15 2704 018



NPT

d	G	L	H	Paraf	PN/Bar	Gr	Quant	Nº Código
75	" 1/2	120	95	4 (M8x60)	10	355	C 30	02 15 2704 019
75	" 3/4	120	95	4 (M8x60)	10	358	C 30	02 15 2704 020
75	1 "	120	95	4 (M8x60)	10	368	C 30	02 15 2704 021
75	1" 1/2	120	95	4 (M8x60)	10	381	C 30	02 15 2704 023
90	" 1/2	132	115	6 (M8x60)	10	498	C 20	02 15 2704 024
90	" 3/4	132	115	6 (M8x60)	10	502	C 20	02 15 2704 025
90	1 "	132	115	6 (M8x60)	10	514	C 20	02 15 2704 026
90	1" 1/4	132	115	6 (M8x60)	10	523	C 20	02 15 2704 027
90	1" 1/2	132	115	6 (M8x60)	10	530	C 20	02 15 2704 028
110	" 1/2	153	129	6 (M8x60)	10	622	C 12	02 15 2704 029
110	" 3/4	153	129	6 (M8x60)	10	628	C 12	02 15 2704 030
110	1 "	153	129	6 (M8x60)	10	628	C 12	02 15 2704 031
110	1" 1/4	153	129	6 (M8x60)	10	628	C 12	02 15 2704 032
110	1" 1/2	153	129	6 (M8x60)	10	648	C 12	02 15 2704 033
110	2 "	153	129	6 (M8x60)	10	648	C 12	02 15 2704 034
125	1"	176	130	6 (M8x60)	10	675	C 12	02 15 2704 036
125	1"1/4	176	130	6 (M8x60)	10	680	C 12	02 15 2704 037
125	1"1/2	176	130	6 (M8x60)	10	689	C 12	02 15 2704 038
125	2 "	176	130	6 (M8x60)	10	685	C 12	02 15 2704 039

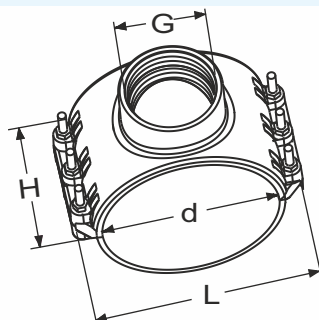




NPT

d	G	L	H	Paraf	PN/Bar	Gr	Quant	Nº Código
140	1 "	192	135	6 (M8x60)	10	800	C 10	02 15 2704 041
140	1" 1/4	192	135	6 (M8x60)	10	803	C 10	02 15 2704 042
140	1" 1/2	192	135	6 (M8x60)	10	803	C 10	02 15 2704 043
140	2 "	192	135	6 (M8x60)	10	825	C 10	02 15 2704 044
140	2" 1/2	192	135	6 (M8x60)	6	830	C 8	02 15 2704 045
140	3 "	192	135	6 (M8x60)	6	837	C 8	02 15 2704 046
160	1 "	212	135	6 (M8x60)	10	874	C 8	02 15 2704 048
160	1" 1/4	212	135	6 (M8x60)	10	878	C 8	02 15 2704 049
160	1" 1/2	212	135	6 (M8x60)	10	881	C 8	02 15 2704 050
160	2 "	212	135	6 (M8x60)	10	891	C 8	02 15 2704 051
160	3 "	212	135	6 (M8x60)	6	925	C 8	02 15 2704 053
200	1 "	252	140	6 (M8x60)	10	1010	C 6	02 15 2704 055
200	1" 1/2	252	140	6 (M8x60)	10	1046	C 6	02 15 2704 057
200	2 "	252	140	6 (M8x60)	10	1063	C 6	02 15 2704 058
200	3 "	252	140	6 (M8x60)	6	1110	C 4	02 15 2704 060
225	1" 1/4	294	170	6 (M10x80)	6	1760	C 3	02 15 2704 062
225	1" 1/2	294	170	6 (M10x80)	6	1760	C 3	02 15 2704 063
225	2 "	294	170	6 (M10x80)	6	1780	C 3	02 15 2704 064
225	2" 1/2	294	170	6 (M10x80)	4	1790	C 3	02 15 2704 065
225	3 "	294	170	6 (M10x80)	4	1750	C 3	02 15 2704 066
225	4 "	294	170	6 (M10x80)	4	1830	C 3	02 15 2704 067

NEW



NPT

d	G	L	H	Paraf	PN/Bar	Gr	Quant	Nº Código
250	1" 1/4	320	180	6 (M10x80)	6	2090	C 2	02 15 2704 070
250	1" 1/2	320	180	6 (M10x80)	6	2090	C 2	02 15 2704 071
250	2"	320	180	6 (M10x80)	6	2110	C 2	02 15 2704 072
250	2" 1/2	320	180	6 (M10x80)	4	2110	C 2	02 15 2704 073
250	3"	320	180	6 (M10x80)	4	2130	C 2	02 15 2704 074
250	4"	320	180	6 (M10x80)	4	2220	C 2	02 15 2704 075
315	1" 1/4	390	200	6 (M10x80)	6	2810	C 1	02 15 2704 080
315	1" 1/2	390	200	6 (M10x80)	6	2820	C 1	02 15 2704 081
315	2"	390	200	6 (M10x80)	6	2830	C 1	02 15 2704 082
315	2" 1/2	390	200	6 (M10x80)	4	2840	C 1	02 15 2704 083
315	3"	390	200	6 (M10x80)	4	2850	C 1	02 15 2704 084
315	4"	390	200	6 (M10x80)	4	2880	C 1	02 15 2704 085

